

WH 50 F - HD

Fixed wall mount (heavy duty)

Item no.: 1790

WH 50 F - HD is a fixed wall mount for flat screens from 32 to 75 " / 81 - 191 cm, which can be used in portrait orientation.

In addition to the standard attachment up to max. VESA 400 x 600 mm the WH 50 F - HD also offers the 125 hole pattern for optional adaptation to HAGOR stand or ceiling systems.

The bracket is characterized above all by the fact that it is extremely sturdy and, with a maximum load of 125 kg, particularly suitable for very heavy screens.

The slim holder is impact and scratch resistant in black powder-coated and saves a lot of space due to the small wall distance of just 32 mm.

An integrated spirit level ensures easy installation. In order to be able to set the optimal height, a height compensation of up to 10 mm is possible.

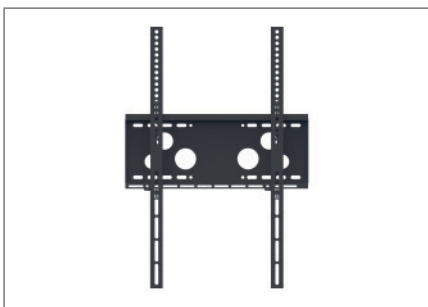
The bracket can be secured against theft with the supplied padlock.



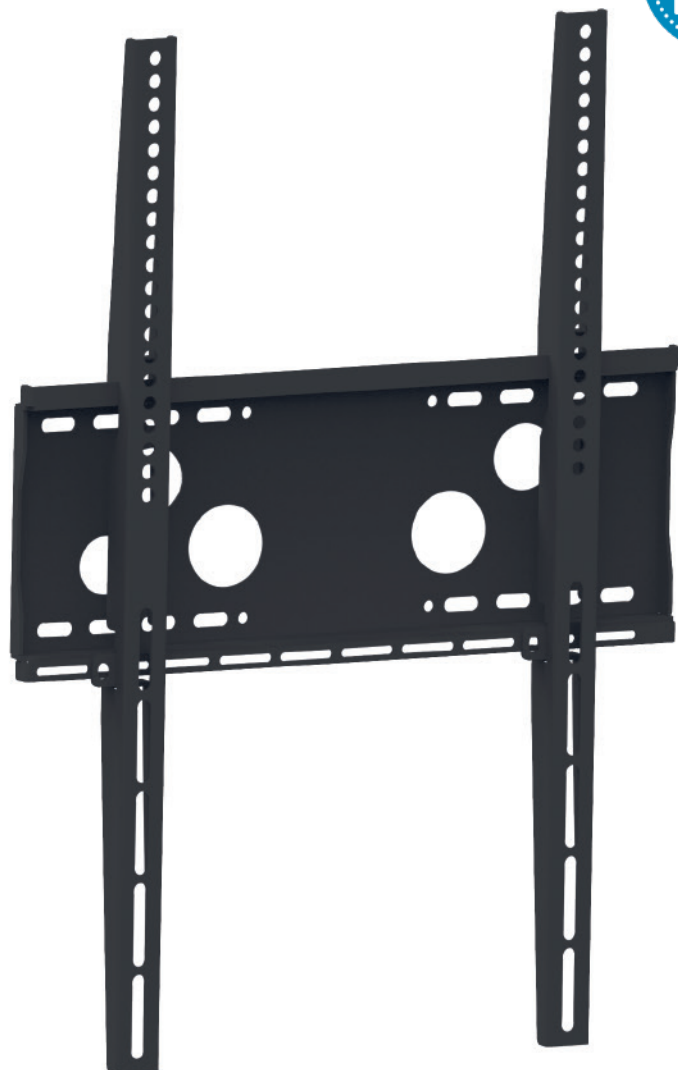
incl. optionally usable lock



incl. height compensation up to 10 mm



horizontally adjustable after assembly
thanks to oblong mounting holes



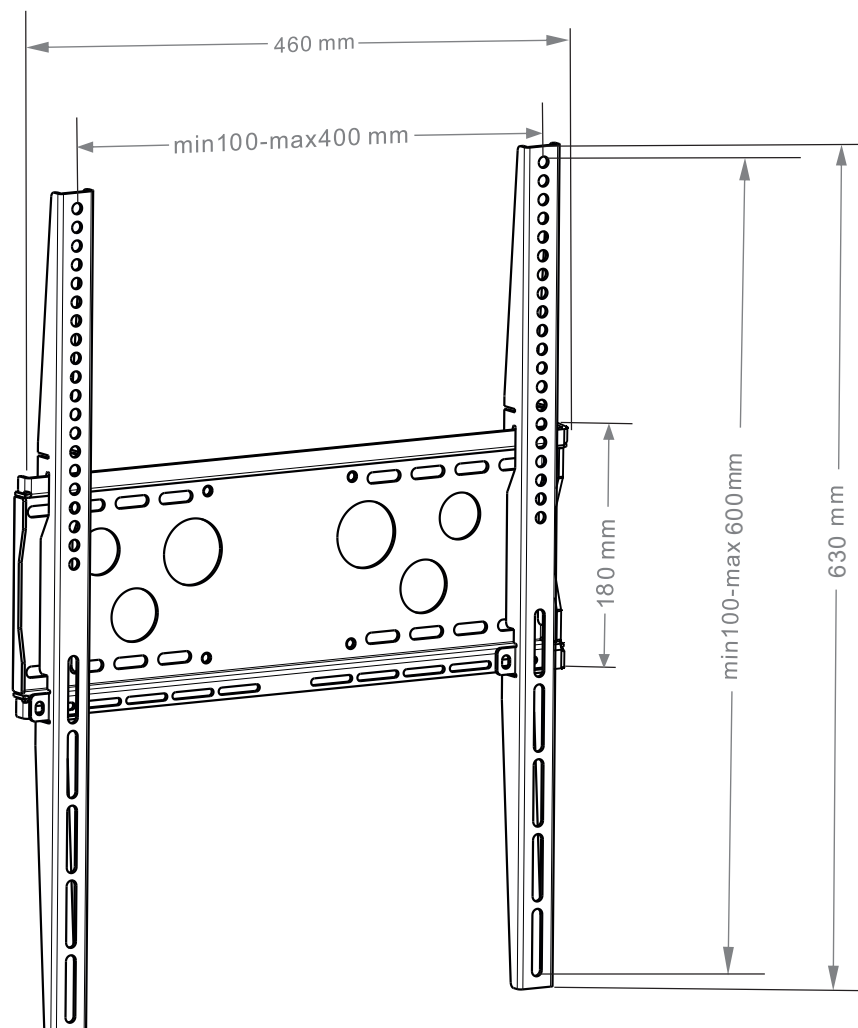
Technical changes reserved

WH 50 F - HD

Fixed wall mount (heavy duty)

Item no.: 1790

- for screens from 32 - 75" / 81 - 191 cm
- especially for portrait installation
- including universal mount, VESA 400 x 600 mm max., 125 hole pattern for HAGOR systems
- 32 mm wall distance
- incl. spirit level
- incl. height compensation up to 10 mm
- Colour: black
- impact and scratch resistant powder coated
- lockable with the supplied padlock (can be used optionally)
- Heavy Duty - load capacity up to 125 kg max.
- available as an option:
Vesa Adapter stripes 800 (Item no.: 1469)



Technical changes reserved